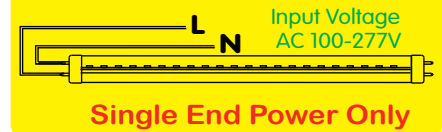


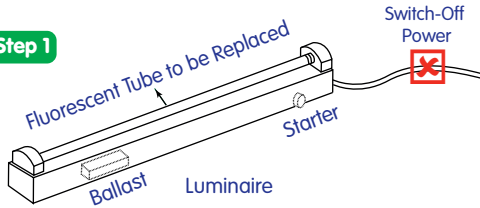
Note: HyLite LED Tubes are designed to work with Non-shunted tombstones only. The Luminaire, once modified as a retrofit fixture, will no longer operate fluorescent lamps.

LED Single-end Tube Light



Retrofit Instructions:

Step 1

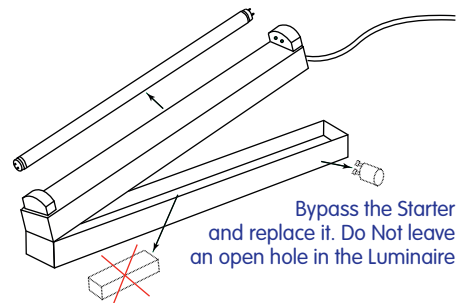


Caution: HyLite LED Tube Lights are designed to work off 100V to 277V. Ballast and Starter (if equipped) **must** be bypassed or removed from the fixture before installing tube. Failure to follow instruction can result in a damaged product, electric shock, or fire. Eliminating the Ballast saves additional costs related to maintenance, energy consumption and performance. By-passing Ballast will also ensure that there is no RF interference.

Step 2

Remove Fluorescent Tube and Recycle. Refer to the EPA.gov website for Fluorescent Tube Recycling instructions.

Remove Ballast and Starter (if so equipped)



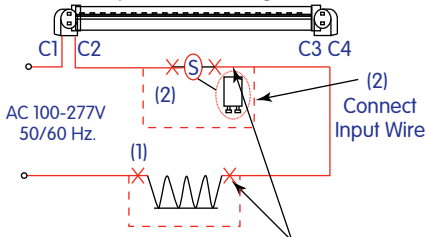
Warning: Important Safety Instructions. Risk of Fire or Electric Shock. Read and Understand all Installation Instructions before installing HyLite T8 LED Tube Light. HyLite LED Bi-pin tube lights are designed for Single-End Power. **Only** one end of the tube is designated as the input side. Please ensure only this end is installed in the Powered Lamp Holder. **DO NOT** Remove Cover and/or End Caps. No User-Serviceable Parts inside.

Thank you for purchasing HyLite LED Tube Light and for investing in the future of eco-friendly products. By selecting HyLite LED Tube Light you have chosen a high-quality, eco-friendly product that is designed for years of dependable performance. We trust you will experience years of reliable service from it. This guide explains the steps necessary to install or retrofit the T8/T10/T12 tube lights to ensure optimal performance.

This guide is for reference only and is intended for qualified electricians or lighting technicians. HyLite LED Tube Lights are intended to retrofit maximum four lamps, surface mount, or Non-IC recessed mount fluorescent luminaires that use straight tubular Tube Lights.

Step 3

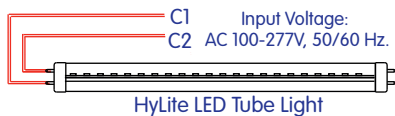
Luminaire with Magnetic Ballast & Starter
HyLite LED Tube Light



- (1) Cut-off all Wires connected to the Ballast & Starter.
- (2) Connect the Wiring of Input & Output of the Magnetic Ballast.

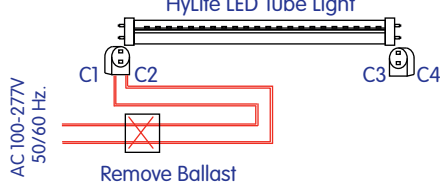
- **WARNING:** Risk of fire or electric shock. LED Retrofit Kit installation requires knowledge of luminaires electrical systems. If not qualified, do not attempt installation. Contact a qualified electrician.
- **WARNING:** Risk of fire or electric shock. Install this kit only in luminaires that have the construction features and dimensions shown in the photographs and/or drawings and where the input rating of the retrofit kit does not exceed the input rating of the luminaire.
- **WARNING:** To avoid potential fire or shock hazard, do not use this retrofit kit in luminaires employing shunted Bi-pin lampholders. Note: Shunted lamp holders are found only in fluorescent luminaires with Instant-Start ballasts. Instant-start ballasts can be identified by the words "Instant Start" or "I.S." marked on the ballast. This designation may be in the form of a statement pertaining to the ballast itself, or may be combined with the marking for the lamps with which the ballast is intended to be used, for example F40T12/IS. For more information, contact the LED luminaire retrofit kit manufacturer.
- **WARNING:** To prevent wiring damage or abrasion, do not expose wiring to edges of sheet metal or other sharp objects.
- To be used in indoor dry or damp location only. Not suitable for wet location. Do not use where directly exposed to water or weather. Non-submergible (not water tight). Not for use in fully enclosed fixtures. Operate in fixtures that provide the free flow of air around the lamp heat sink.
- Installers should not disconnect existing wires from lampholder terminals to make new connections at lampholder terminals. Instead installers should cut existing lampholder leads away from the lampholder and make new electrical connections to lampholder lead wires by employing applicable connectors.
- This product must be installed in accordance with the applicable installation code by a person familiar with the construction and operation of the product and the hazards involved.
- For use with Non-shunted "tombstones" only. Do not use in Luminaires employing Shunted Bi-pin lampholders (tombstones). Not to be used with a light dimmer. Ballasts and Starters **must** be bypassed.
- Not intended for use with emergency exit fixtures or emergency exit lights.
- HyLite LED Tube Lights should only be installed by a qualified electrician and in accordance with all the applicable installation codes. Always contact ground lead to luminaire in accordance with national, state, and/or local electrical codes where applicable. Failure to do so may result in a serious personal injury.
- Disable all power to the luminaire before conducting any inspection, installation, maintenance or removal. Failure to do so will create a hazardous and fatal working environment.
- The installer must determine and verify whether they have AC 100-277V at the luminaire before installation. Improper voltage matching can result in performance degradation and/or physical damage. These lamps work on line voltage and require all Ballasts and Starters to be bypassed.
- Luminaires wiring, ballasts, or other electrical parts may be damaged when installing. Always check for enclosed wiring and components.
- Do not make or alter any open holes in an enclosure of wiring or electrical components during installation.
- Do not open – no user serviceable parts inside.
- The end retrofit fixture once modified can no longer operate as was originally intended.

For Wiring Connection: As per Step 3 or 4



Step 4

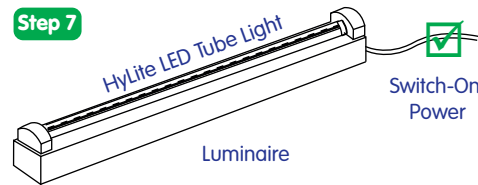
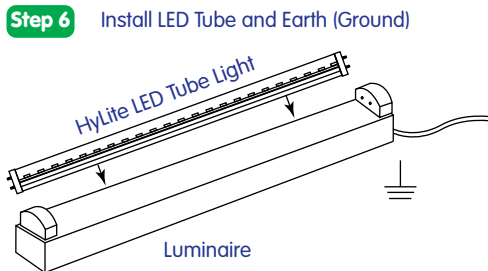
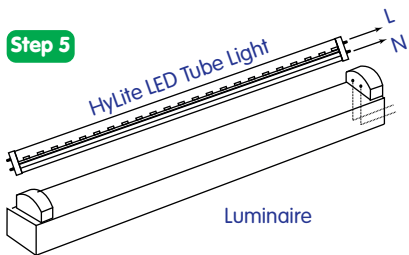
Luminaire with Electronic Ballast
HyLite LED Tube Light



Wiring: Connection on one-end only. Input side is designated on the tube.



Note: HyLite LED Tubes are designed to work with Non-shunted tombstones only.
The Luminaire, once modified as a retrofit fixture, will no longer operate fluorescent lamps.

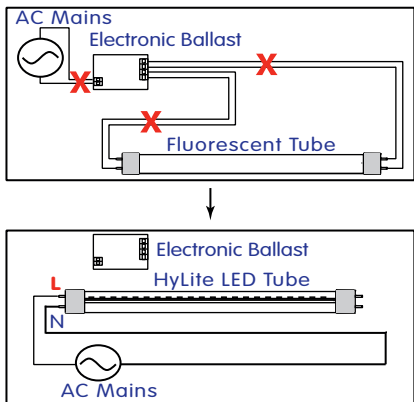


Bi-Pin Steps:

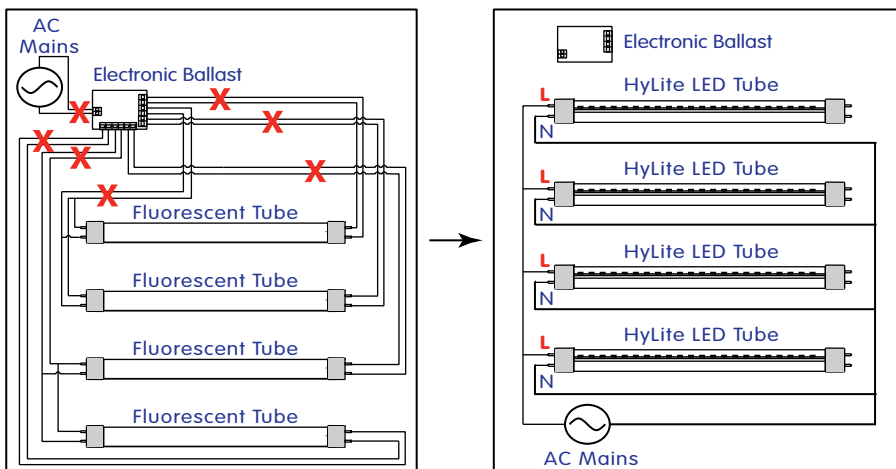
1. Ensure Breaker is turned off and no power is going to the fixture (**Step 1**).
2. Remove Fluorescent Tube and Recycle.
3. Open/Remove Wiring Compartment Cover and cut-off all wires connected to the Ballast. Remove the Ballast (**Step 2**).
4. Connect the wires as shown in (**Step 3**) and (**Step 4**).
5. Adapt one-end wiring method as shown in (**Step 5**) before installing LED tube light.
 - a. Live Wire "L" and Neutral Wire "N", should be separately connected to any one wire of C1 or C2.
 - b. The wire "L" and wire "N" can be separately connected to more than one wire from C1 or C2.
 - c. To avoid the risk of electric shock, **DO NOT** connect wires "L" and "N" together.
 - d. Use approved Electrical Insulating Tape or wire cap to ensure that all the power cords which were cut are well insulated or capped. An energized wire is a shock and a fire hazard.
6. Close-up the Wiring Compartment (**Step 5**).
7. Insert HyLite LED Tube Light in the lamp holder (**Step 6**).
 Note: HyLite Tube Light is single-end powered. Check the tube to ensure the "Input" end is installed in the lamp holder with the line and neutral installed.
8. Once installation is complete, switch-on Power (**Step 7**).



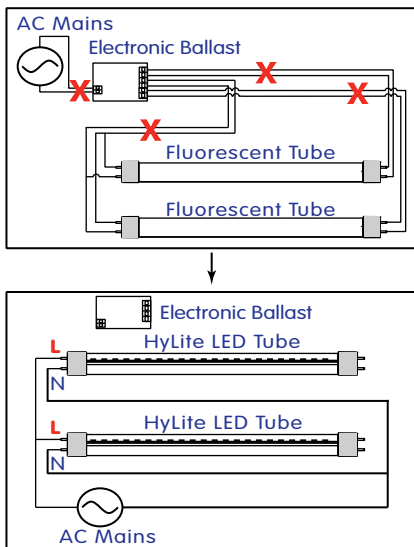
Retrofit Luminaire with One Tube



Retrofit Luminaire with Three or Four Tubes and One Ballast



Retrofit Luminaire with Two Tubes and One Ballast



Retrofit Luminaire with Three or Four Tubes and Two Ballasts

